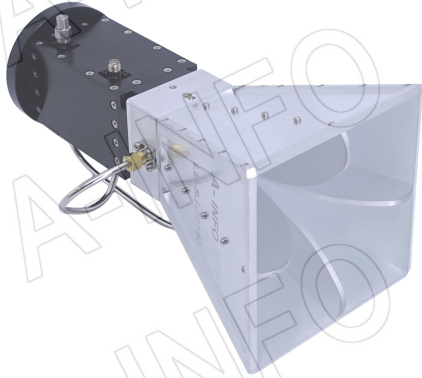


For reference only. See data sheet for the detailed specifications.

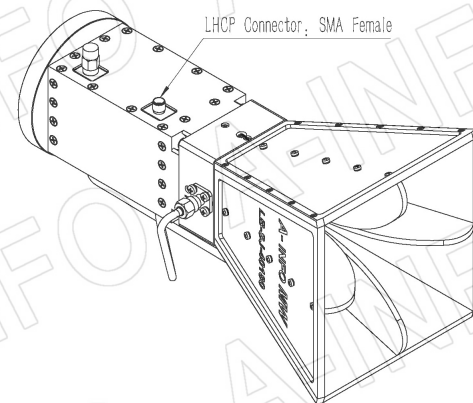
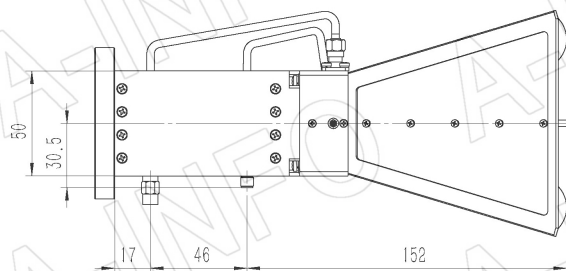
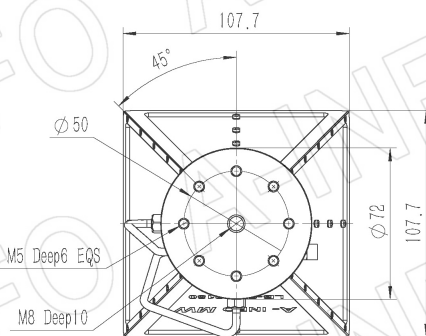
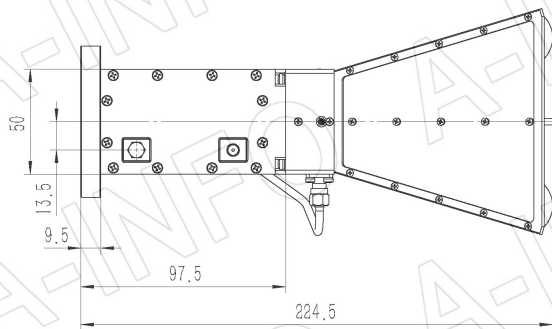
## Technical Specification



Frequency Range(GHz)	4.0 - 18.0
Gain(dBic)	11 Typ.
Polarization	LHCP
Axial Ratio(dB)	2.0 Typ. 3.0 Max.
3dB Beamwidth(deg)	E Plane: 66 - 23
	H Plane: 64 - 22
VSWR	2.0:1 Max.
Connector	SMA-Female
Power Handling(W CW)	20 Max.
Material	Al
Finish	Chemical Conversion Coating and Anodizing
Size(mm)	107.7 x 107.7 x 224.5
Net Weight(Kg)	0.80 Around

## Outline Drawing (Size: mm)

SMA-Female Output (P/N: LB-SJ-40180-P01)



**AINFO Inc.**

China(Beijing):  
China(Chengdu):  
USA :

Tel: (+86) 10-6266-7326,  
Tel: (+86) 28-8519-2786,  
Tel: (+1) 949-639-9688,

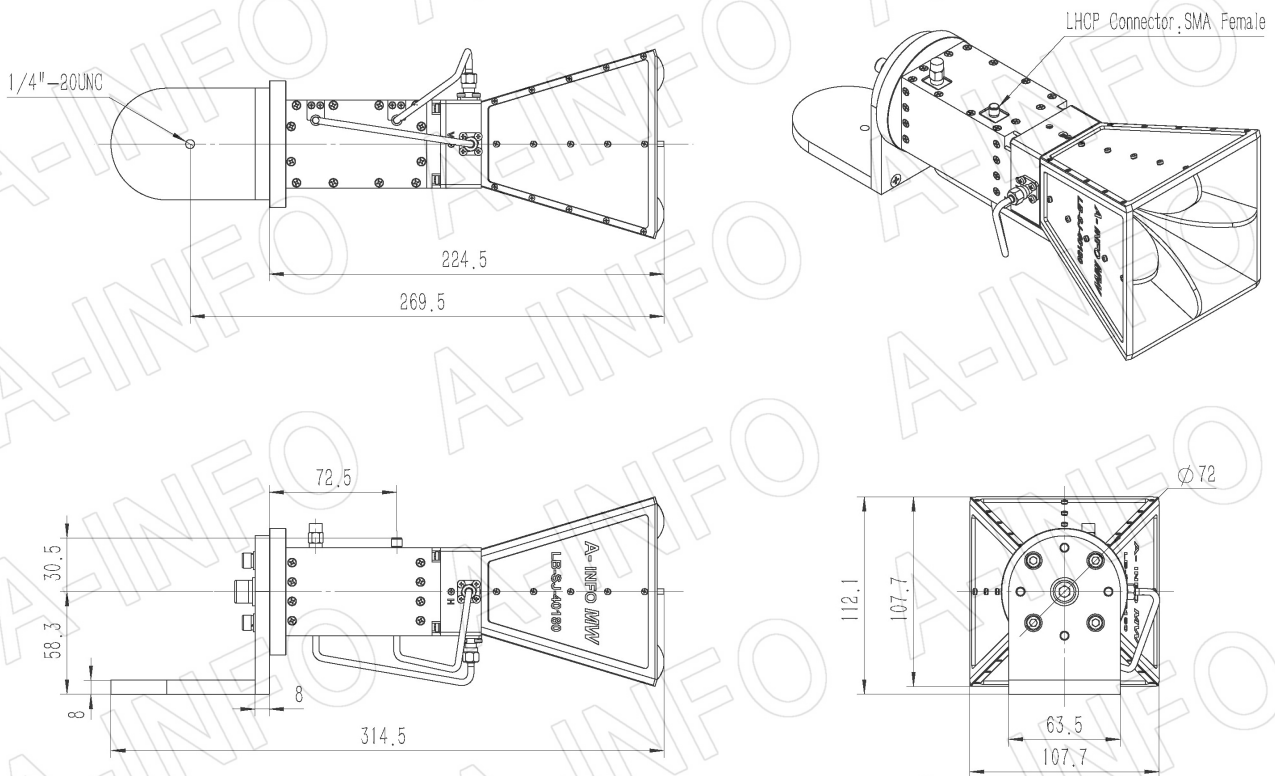
(+86) 10-6266-7327  
(+86) 28-8519-3044  
(+1) 949-639-9608

Page 1 of 10

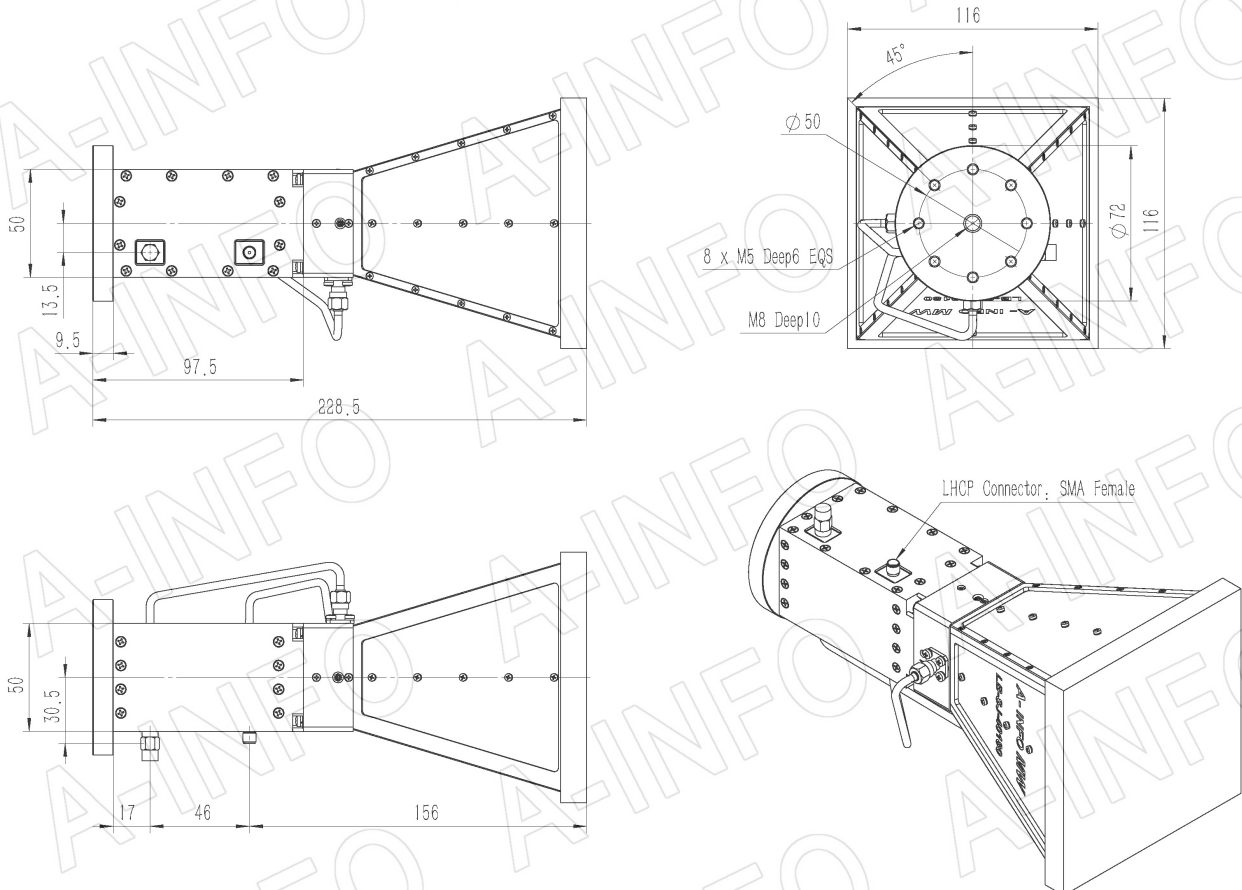
Fax: (+86) 10-6266-7379  
Fax: (+86) 28-8519-3068  
Fax: (+1) 949-639-9670

Website: [www.ainfoinc.com](http://www.ainfoinc.com)  
Email: [sales@ainfoinc.com](mailto:sales@ainfoinc.com)

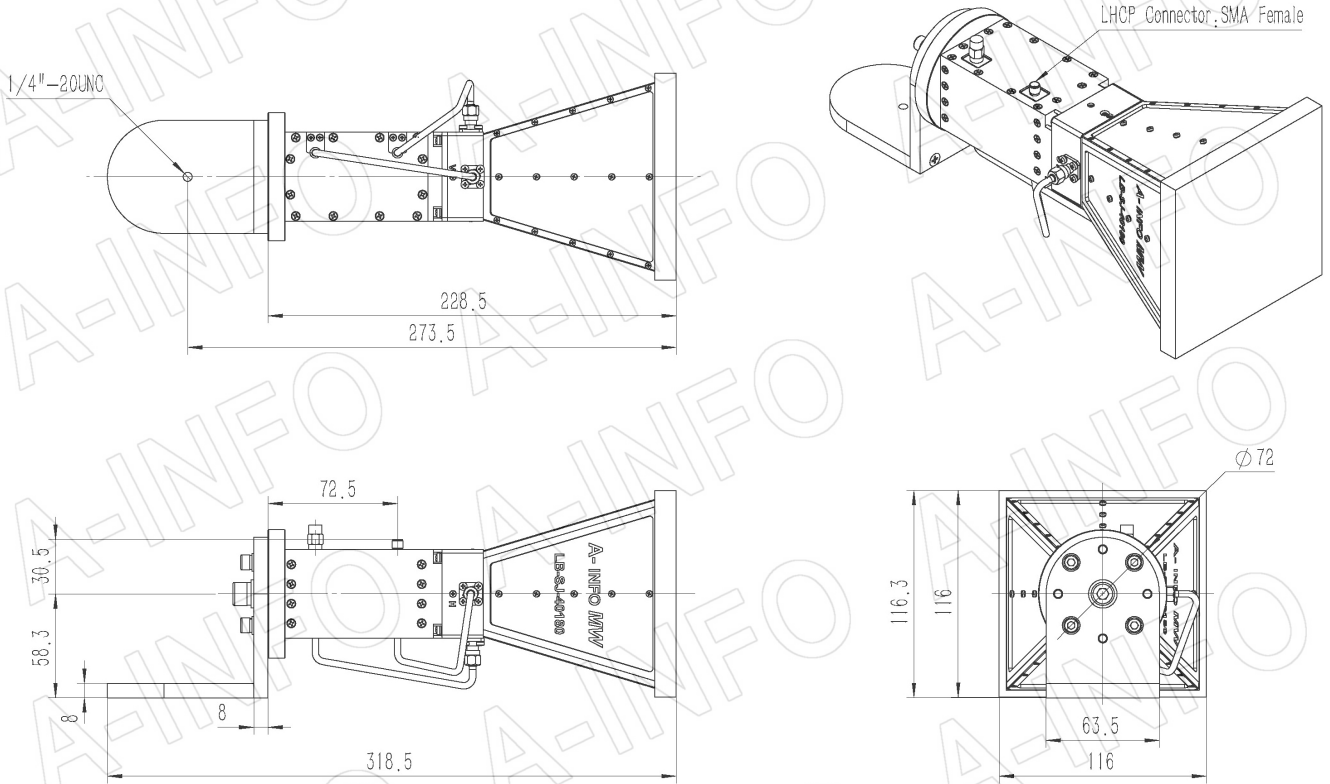
SMA-Female Output with L Type Mounting Bracket (Option, P/N: LB-10180-L)



SMA-Female Output with Radome (Option, P/N: LB-SJ-40180-P01SPO, Application Outdoor)

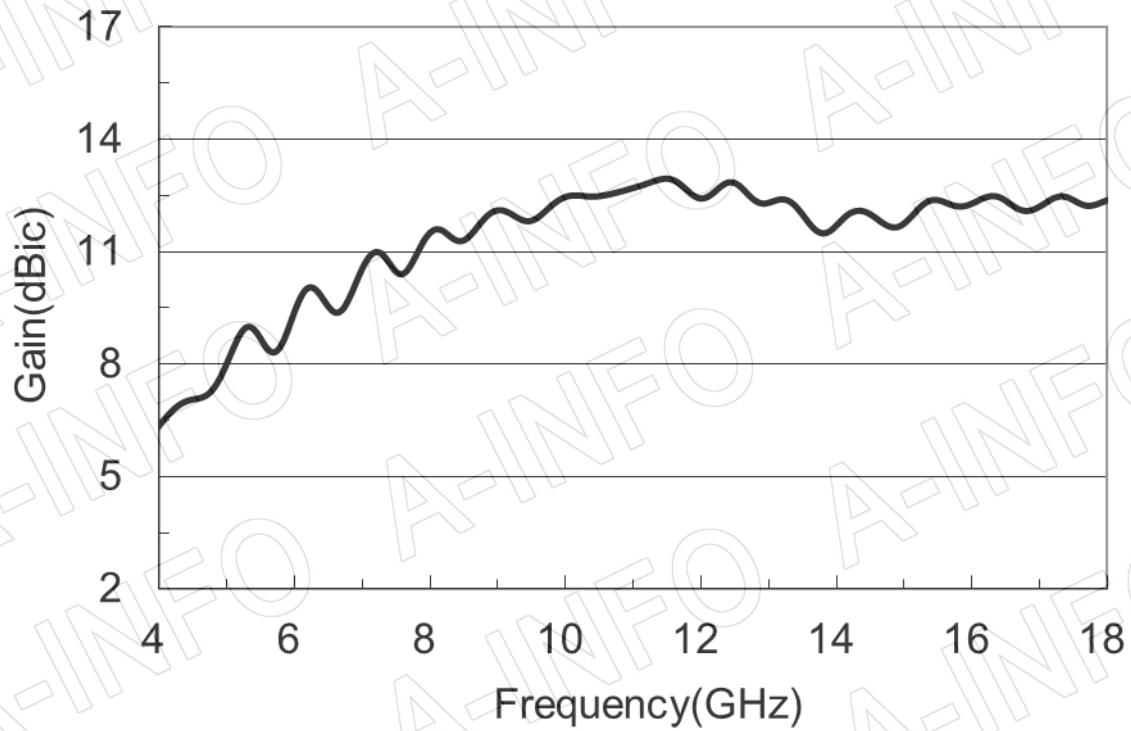


SMA-Female Output with L Type Mounting Bracket & Radome (Option, P/N: LB-10180-L & LB-SJ-40180-P01SPO, Application Outdoor)

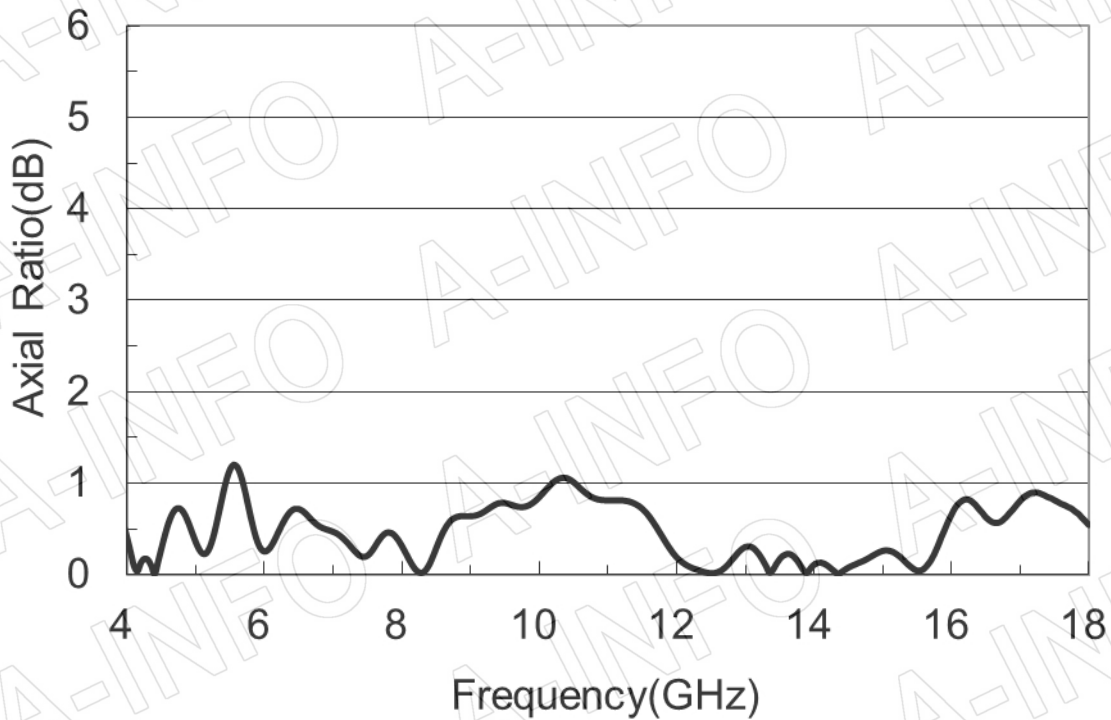


## Test Results

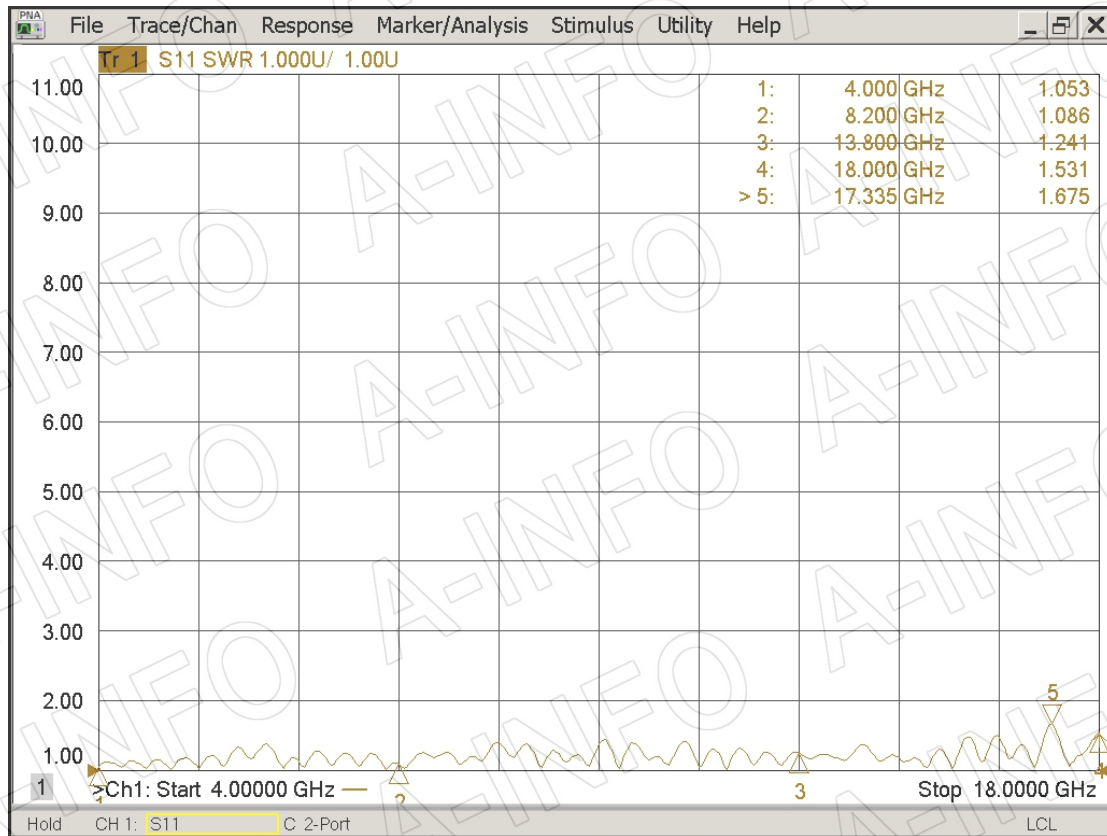
### 1. Gain



### 2. Axial Ratio



### 3. VSWR



### 4. Pattern

